

FINE SAFES FOR WATCHES, JEWELLERY AND MORE.



■■■ HANDCRAFTED IN GERMANY



ENGINEERS OF LUXURY SAFES

Our passion is to manufacture the ultimate safe: as secure as a bank, as precise as a prestige timepiece, as beautiful as art.

Dominik von Ribbentrop, CEO





*Ornate coffer 1733, Germany
Provenance: Alphonse de Rothschild*

TRADITION, VALUES AND CONTINUITY

People have always attempted to preserve objects of value. Even as far back as the Bronze Age and Iron Age, we find the first examples of locks and keys. The security principle was increasingly perfected over time. In the Iliad, Homer refers to “a lock that no God knew how to open”, and thus expresses a wish that many inventors, engineers and craftsmen have strived to realise throughout all cultures and epochs. Over the course of history, the profession of locksmith has become increasingly demanding, and now they are also artists, who combine both imaginative shapes and technical vision in their handiwork. Thus the design of lock and key reflects the aesthetics of the respective epoch of style – even in the 21st century.

At Stockinger, we are committed to this tradition and philosophy. We regard our craftsmanship as a gesture of appreciation to what is beautiful and valuable.

FREEDOM THROUGH SECURITY

A Stockinger Safe is about more than maximum security and protection – it is about elegantly blending function and form with individuality and security at uncompromising levels of quality for our customers' most valued belongings. A Stockinger Safe is a beautiful product that fits seamlessly into a luxury lifestyle, offering highly customized levels of security protection without sacrificing grace or style. Whether it is watches, jewellery, fine art, vital documentation or other valued possessions, Stockinger provides the ultimate peace of mind, combining security, beauty and convenience.

A safe should be far more than a mere secure cupboard, standing in the cellar or concealed behind a picture. According to your needs we aim to produce a safe that you can place wherever you desire – in your bedroom, in your cloakroom, dressing room, study or living room. You won't have to plan well in advance to have access to your valuables. You can decide what to wear when getting dressed for the evening without wondering about bank opening hours.

*World Expo 1929, Barcelona, Spain
German Pavillon, Mies van der Rohe*





CRAFTSMANSHIP

People say that Stockinger produces the most secure and beautifully designed private safes in the world. To purchase a Stockinger safe is to acquire a unique object made for life-long protection of your valuables. The safes are always custom made to your specifications.

Our security concept is the result of lengthy consideration, coupled with experience and insights. With their unique construction, special barrier materials, double boltwork and the patented Stocktronic keypad system, Stockinger safes meet the highest demands of the VDS in such a way that they are entitled to bear the extremely high VDS IV security rating, based on EN 1143/1. Stockinger safes are also created to realise your individual design wishes. Thus, we produce precisely the safe that will comply with your individual needs for security and aesthetics: a safe that combines handcrafted passion with state-of-the-art technology. Every single component, as well as the finished product, is subjected to stringent quality controls. Each safe is individually numbered and is one-of-a-kind.

Around 30 different teams of experts are involved in the manufacture of a Stockinger safe. Engineers, technicians, craftsmen and artists, all with many years of experience in the manufacture of safes.

UNIQUENESS

It is the detail that makes Stockinger safes so coveted. They can be finished in an infinite number of lacquers, paints, natural or artificial surfaces. We create marble and natural stone finishes, or recreate the appearance of various types of wood grains, such as macassar ebony or mahogany. Each safe surface is carefully and conscientiously primed, painted, sanded and repeatedly repainted up to 18 times. This process takes several weeks and is completed with a finish of the finest carnauba wax, which produces a softer look with an unusual optical depth to the paint. In addition to all standard clear varnish and metal finishes, you can also opt for a crystallised finish. Millions of genuine crystals are worked into the varnish and each and every one of the 0.8 mm tiny crystals features 16-fold faceting. A unique technique for safes worldwide which will turn your safe itself into a glittering piece of jewellery.

Stockinger safes feature a solid brass handle, which is comfortable to hold and open. In order to avoid signs of wear, these do not feature gold leaf but instead 18 carat full gold plating. You can also opt for the chrome-plated version or any other handle of your choice.



*ISIS Dark Blue Metallic - Silver - Blue
Security grade EN 1143/VDS III
8 watchwinders and 3 drawers for
watches and jewellery*



SECURITY

The patented Stocktronic locking system guarantees security and extraordinary ease of use. The system works separately from your building's electricity and is programmed via a concealed keypad. Closing and opening are electronically controlled and the safe is connected to external safety systems. The electronic locks used are redundantly constructed to ensure that they are as fail-safe as possible. The unique operating drawer with a concealed keypad is opened by applying slight pressure to the square of the logo. Our Stocktronic can also be connected to any alarm system. Moreover it can be programmed to trigger a "silent alarm". In threatening situations you are then able to set off an emergency signal simply by opening your safe normally.

Stockinger safes have a multi-wall safe construction, which is especially safe not least because we keep the precise details of its manufacture to ourselves. For the user this means space-saving construction coupled with maximum security. The plating is made of an ultra-hard special high-tech blend of polymers and is up to six times harder than standard platings. As a result, a safe weighs up to one-third less than conventionally constructed safes, but boasts a comparable or even higher security level.

The bolt mechanism locks the safe on all four sides. Large pin locks provide additional protection against break-ins and, for aesthetic reasons, are always gold- or chrome-plated. All Stockinger safes have an emergency bolt mechanism, which permanently bolts the safe if an attempt is made to open it by force. The Stockinger name stands for tradition, discretion and experience in safe construction. So far not a single one of our safes has been forcibly opened.

All Stockinger safes are subjected to an ongoing and independent examination. They comply with the very strict EU norm EN 1143/1.



DESIGN

Every Stockinger safe is made-to-measure – a unique masterpiece that is produced in accordance with your wishes. Our 3D design specialists are even capable of incorporating the look of famous designer classics and lifestyle themes in the design – while maintaining necessary security standards, of course. Our demands in terms of perfection and traditional high-quality workmanship are the basis and the guarantee of high-quality safe manufacturing and finish. For more than 30 years, the brand name Stockinger has represented precision and innovation, as well as attention to the numerous details which make up a Stockinger safe in its entirety.



Inspired by its namesake, the "Bugatti Safe" features various design elements of the famous Veyron 16.4.



MADE-TO-MEASURE

Whether you are a watch collector, jewellery lover or an owner of other rare collections, the interior is what makes a Stockinger safe something personal and special. We create drawers out of solid brass in a whole range of sizes in Stockinger gold or Stockinger silver. You can also have the interior made of the finest wood and then lined with the most sublime leather or silk. Experience shows that the selection of your safe can be easily achieved in just a few steps. During the configuration process, you will choose the right Stockinger safe model, the finish and the number and fittings of the drawers, which hold racks and trays crafted specifically for your jewellery. When it comes to watches, we spare no effort to get precisely what you require. We provide internal self-winding mechanisms that keep automatic watches in first-rate condition no matter how long they are locked away.

Our care and attention is the same as that of a master tailor in Savile Row, who spends considerable time in planning and fittings to create something that suits your individual requirements. Subsequent production takes six to ten weeks. We ship and deliver our safes worldwide.

Ambience

CUBE Black - Silver - Burgundy
Security grade EN 1143/VDS III
3 drawers for jewellery

JEWELLERY SOLUTIONS

Outstanding craftsmanship and passion for detail are critical factors, so we take our time to build the exact trays you need. A safe that stores your jewellery properly and is easy to operate and maintain is the best thing that can happen to your valuables. Inside the trays, Stockinger suede has the highest surface quality and a durable texture. It is free of oxidising substances and therefore ideally suited for collections of jewellery, watches and coins.

Whether it be large or small rings, chains, earrings, bangles or necklaces, your finest pieces of jewellery and your dearest watches are treated by us the way they deserve – resting one by one on smooth material in tailor-made compartments.



We will measure every single piece of your jewellery collection, as well as handcraft the matching trays using the materials of your choice.

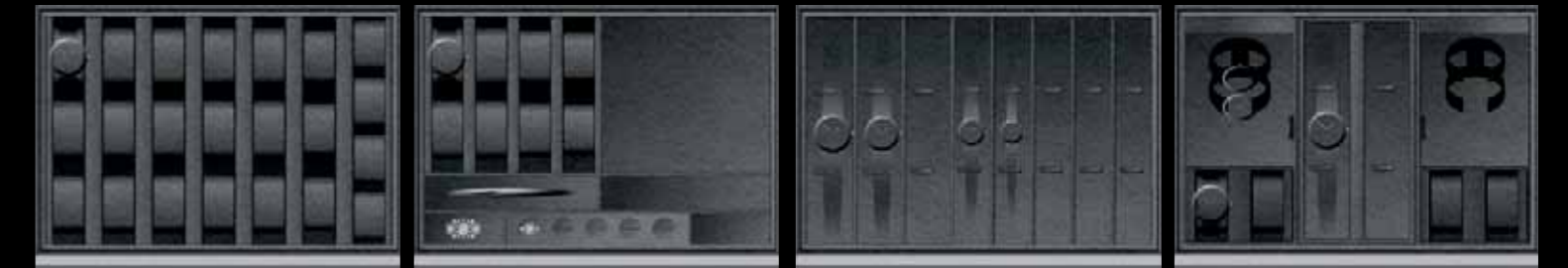




WATCH SOLUTIONS

Our watch winders for automatic watches are the ideal solution for collectors. If an automatic watch is not used for a substantial period of time, this can lead to parts of the mechanism not being sufficiently oiled and therefore becoming damaged. The Stockinger watch winders keep your watches ticking away in a made-to-measure, appropriate storage place.

For years, passionate watch collectors have loved our innovations and features for watches. A Stockinger safe not only provides optimum protection for watch collections, but ensures that they are properly and professionally stored.



During the safe configuration process you will define how many of your automatic watches must be wound by the watch winders integrated in our safe and how many of your watches are stored on the padded watch cushions.

THE BESPOKE LINE

Around 30 different teams of experts are involved in the manufacture of a Stockinger safe: engineers, technicians, craftsmen and artists, all with many years of experience in the manufacture of safes. We supervise all steps from the order to the production of the safe, its finishing, delivery and installation.

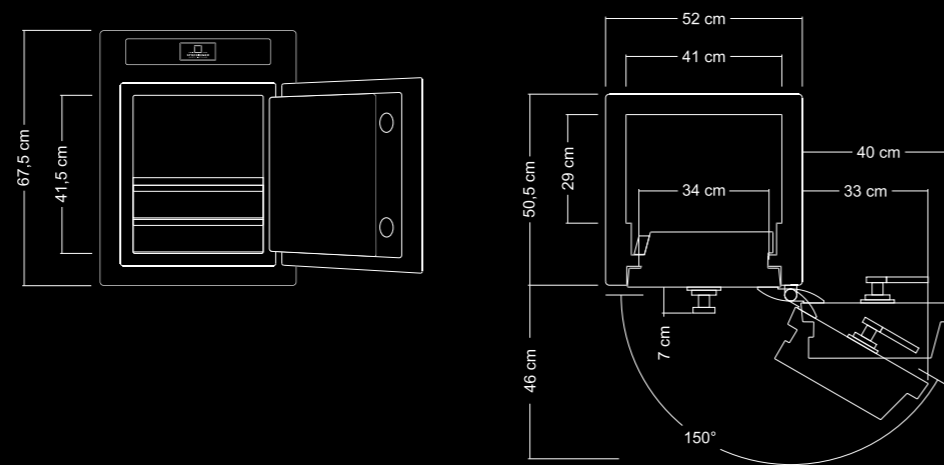
The Bespoke Line safes are available in four different basic sizes: CUBE, ISIS, CHIMERA and PHOENIX. They all feature the unique, patented Stocktronic keypad drawer that contains the concealed keypad module. It is generally possible to fix all models to the floor or wall, as well as connect them to an alarm system. You can define the external appearance, the interior and much more. You will probably only buy a safe once in your life. It should therefore be the best and most secure available. A Stockinger safe will baffle your burglars, but delight your insurance company.



*Stockinger Bespoke Line:
CUBE, ISIS, CHIMERA, PHOENIX
(from left to right)*

CUBE

Despite its reduced size, the smallest Stockinger safe comes complete with all the security features of the Stockinger Safety First Class lines, providing you with the ultimate in security. The CUBE is particularly suited to second homes and yachts. It is available both with and without a plinth (height: 9,8 inch).

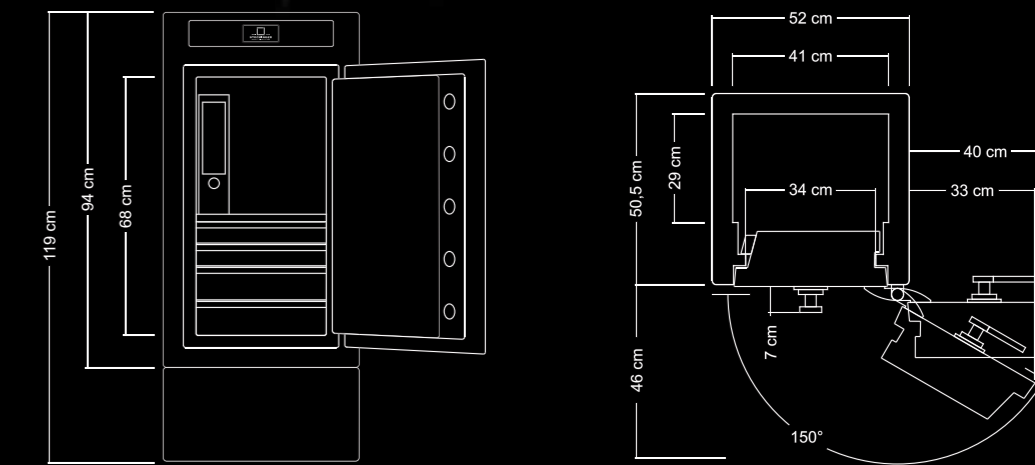


24

Dimensions (HxWxD):	67,5 x 52 x 50,5 cm 26,5 x 20 x 20 inches
Weight:	approx. 300 kg approx. 661 lbs
Volume:	approx. 59 dl
Security level:	EN 1143/VDS III
Locking mechanism:	Stocktronic (one electronic lock)
Interior:	Up to 3 drawers or 4 A4 files

ISIS

The ISIS offers the perfect, elegant solution for medium-sized watch and jewellery collections. It is an excellent fit in dressing rooms and bedrooms. Thanks to the keypad unit located on top, it is easy to operate. The ISIS is available both with and without a plinth (height: 9,8 inch).



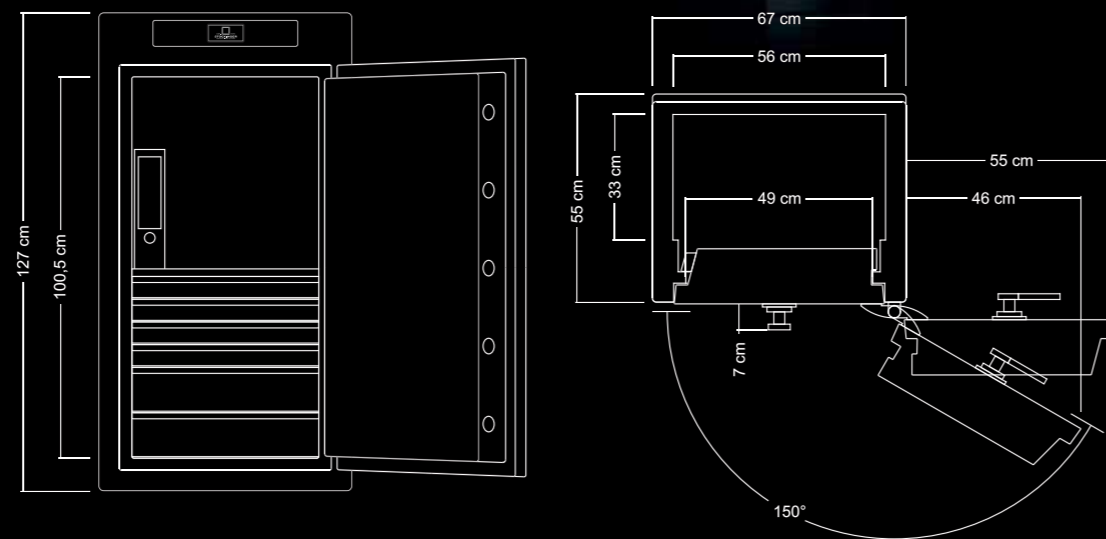
25

Dimensions (HxWxD):	94 x 52 x 50,5 cm 37 x 20 x 20 inches
Weight:	approx. 450 kg approx. 992 lbs
Volume:	approx. 93 dl
Security level:	EN 1143/VDS IV
Locking mechanism:	Stocktronic (two electronic locks)
Interior:	Up to 8 drawers or 10 A4 files

CHIMERA

The CHIMERA represents solid, immovable security and is often built into private studies. With up to 16 drawers, it offers generous space for plenty of watches and jewellery, as well as for documents, cash and other important items. Unusual surfaces, such as mahogany varnish, look particularly good on a CHIMERA safe.

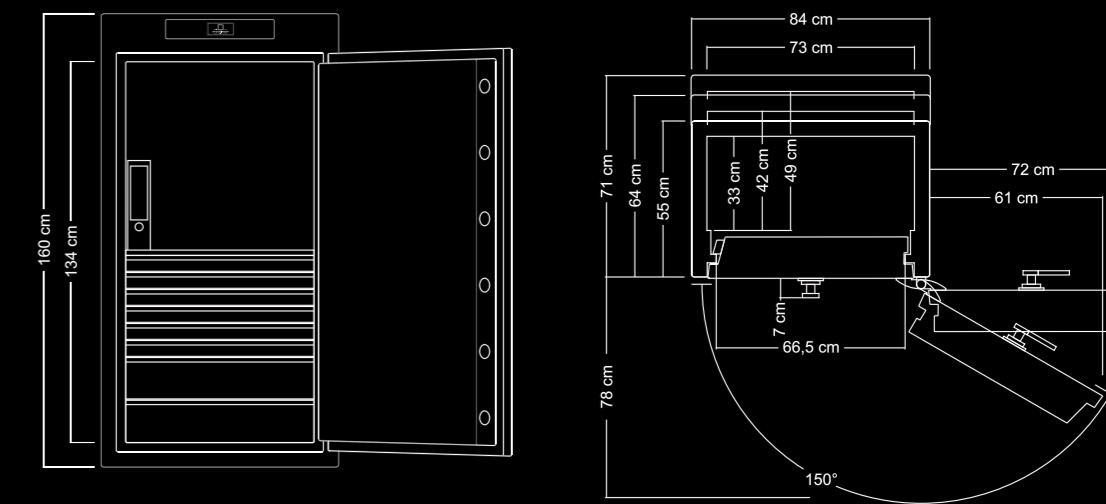
Dimensions (HxWxD):	127 x 67 x 55 cm 50 x 26.4 x 21.6 inches
Weight:	approx. 750 kg approx. 1,653 lbs
Volume:	approx. 210 dl
Security level:	EN 1143/VDS IV
Locking mechanism:	Stocktronic (two electronic locks)
Interior:	Up to 16 drawers or 15 A4 files



PHOENIX

The PHOENIX is the largest model of the Bespoke Line and is ideal for larger collections that require individual, clearly arranged storage. Its imposing appearance and unparalleled reinforcement mean that burglars don't stand a chance – so you get a good night's sleep.

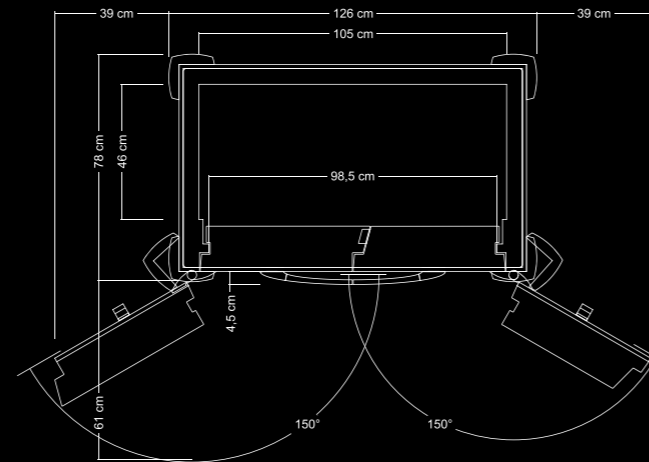
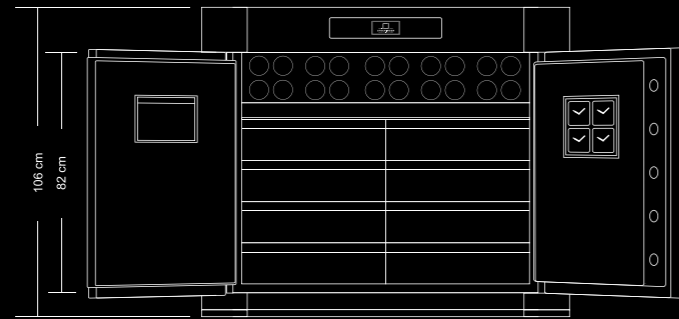
Dimensions (HxWxD):	160 x 84 x 71 cm 63 x 33.1 x 28 inches
Weight:	approx. 1,200 kg approx. 2,645 lbs
Volume:	approx. 522 dl
Security level:	EN 1143/VDS IV
Locking mechanism:	Stocktronic (two electronic locks)
Interior:	Up to 24 drawers or 35 A4 files





HYAS

In addition to the Bespoke Line, the HYAS is specifically designed for watch collectors. It enables enthusiasts to keep, present and organize an extensive collection securely and professionally in their personal environment. The five separate watch winding units, each with four winders, can be individually configured. The drawers can store a maximum of 188 watches or can be customized for jewellery. Every safe is created with unparalleled fit and finish from the inside out with the highest quality hand-crafted materials. The same attention to detail is taken into consideration with the exteriors. Our design approach fuses the elegance of fine furniture creation with a security level protection equivalent to that of a commercial bank vault.



FACTS & FIGURES

Dimensions (WxDxH):	126 x 78 x 106 cm 49.6 x 30.7 x 42.1 inches
Weight:	approx. 890 kg approx. 1.962 lbs
Volume:	approx. 210 dl
Security level:	Stockinger III
Locking mechanism:	Stocktronic (one electronic lock)
Interior:	20 watch winders Additional space for 168 watches





BENTLEY

Dedicated to design, engineering and craftsmanship. Created in honour of the Bentley vision. The new limited edition "Stockinger for Bentley" exhibits sleek luxury in design and polished perfection in technology. Like its famous namesake, it combines secure technology with designer looks. As a Bentley is unmistakable, so too is a Stockinger safe. Hallmarks of luxury such as the leather linings and the brushed aluminium interior finish combine with the seven-layer lacquer and design elements typical of Bentley interiors to create its exciting beauty.

STOCKINGER *for* BENTLEY

LIMITED EDITION STOCKINGER FOR BENTLEY - ARNAGE

For devotees of fine mechanisms, the "Arnage" is an elaborate watch safe equipped with state-of-the-art watch winders for exceptional timepieces.

For more than 20 years we have been integrating watch winder technology into safes. Watch collectors all over the world use our reliable devices. Our watch winders almost run noiselessly. An extremely long, disturbance- and maintenance-free life is guaranteed. The design captures traditional craftsmanship qualities and techniques and reveals the design cues that are our passion. The choice of materials demonstrates the high quality and finishing evident in every Stockinger safe. The greatest luxury in life is time. Savour every second.



FACTS & FIGURES

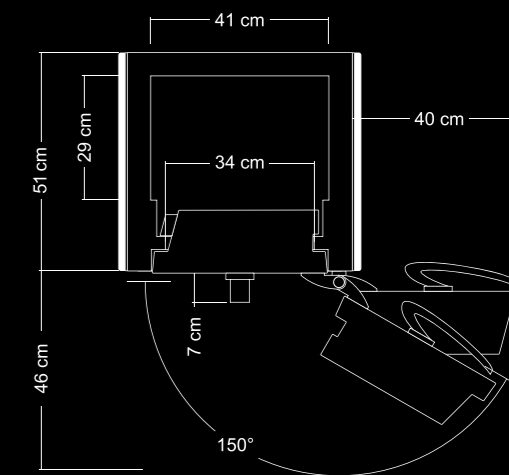
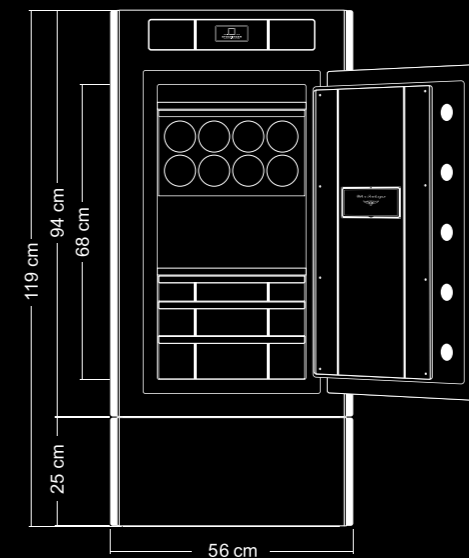
Dimensions (HxWxD): 119 x 56 x 51 cm
47 x 22 x 20 inches
Weight: approx. 485 kg / 1,067 lbs
Volume: approx. 95 dl.
Security grade: EN 1143/VDS III
Locking mechanism: Stocktronic

Watchwinder capacity: 8 watches
Turns per day : 650-900
Winding Directions: Selectable
Drawers: 3 in different sizes

Finish options: All standard Bentley exterior paints,
10 Stockinger interior suedes

Wood veneer panels: Birds Eye Maple, Burr Walnut
or Dark Stained Burr Walnut

Limited edition: 200 safes





STOCKINGER *for* BENTLEY

LIMITED EDITION STOCKINGER FOR BENTLEY - CONTINENTAL

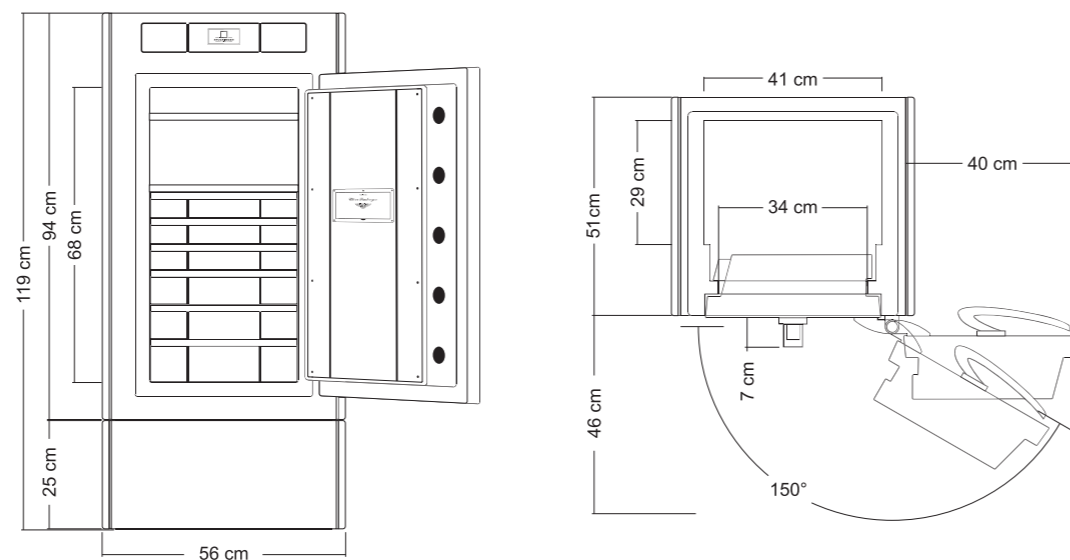
The "Continental" is an elegant jewellery safe, an attractive, secure environment for beautiful items – liberating them from wall safes and bank vaults.

The finish on the drawers and on the safe door is identical to the Bentley dashboard texture, known as engine turning and is traditionally found in the racing cockpit interior of one of Bentley's earliest cars, the Bentley Blower. Whether it be large or small rings, brooches, earrings, wide or narrow necklaces, chokers, cufflinks or bangles, you will be able to present your jewellery at home in the style you are accustomed to.



FACTS & FIGURES

Dimensions (HxWxD):	119 x 56 x 51 cm 47 x 22 x 20 inches
Weight:	approx. 485 kg / 1,067 lbs
Volume:	approx. 95 dl.
Security grade:	EN 1143/VDS III
Locking mechanism:	Stocktronic
Interior:	3 drawers à 6 cm 2 drawers à 8 cm 1 drawer à 10 cm
Trays:	6 for watches and jewellery
Finish options:	All standard Bentley exterior paints, 10 Stockinger interior suedes
Wood veneer panels:	Birds Eye Maple, Burr Walnut or Dark Stained Burr Walnut
Limited edition:	200 safes



ORDERS & DELIVERY

Ordering at Stockinger is like ordering a car and with the help of answers to some detailed questions we will design the best safe for your requirements. Depending on the complexity of your choices, production will then take 6 to 10 weeks. We ship and deliver our safes worldwide and if you wish, our Stockinger team will install your safe. If you would like to order one of our safes you may contact us or, should you prefer, please have your consultant contact us to discuss your order. It will be our pleasure to design and manufacture your individual safe.

Alternatively, you may consult our website for brand new safes we currently have in stock. These can be shipped instantly and could be installed at your premises within days.



Each Stockinger safe is delivered with an individual Certificate of Origin.



CONTACT

For any further information or requests please contact us.

Stockinger Manufacture
Eichenstrasse 15, 82061 Neuried, Germany
Tel: +49 89-7590 5828, Fax: +49 89-7590 5830
ribbentrop@stockinger.com, www.stockinger.com

STOCKINGER.COM

STOCKINGER MANUFAKTUR

EICHENSTRASSE 15 · 82061 NEURIED · GERMANY · TEL: +49 89-7590 5828 · FAX: +49 89-7590 5830 · INFO@STOCKINGER.COM