

## STOCKINGER Safe CHIMERA III 48V

“Jet black - Silver - Cognac”

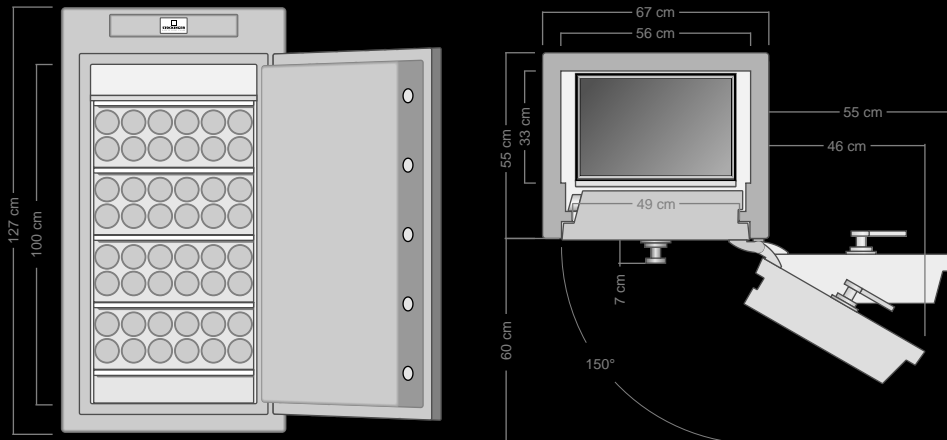
### Technical details and dimensions:

- Patented electronic locking system Stocktronic
- Integrated emergency alarm and anchoring device
- VDS security grade III acc. to EU 1143/1
- HxWxD: 127x 67 x 55 cm / 50,0 x 26,4 x 21,6 inch
- Weight: ca. 750 kg / 1.653 lbs
- Volume: ca. 210 liter

### Individual finish:

- Body and door in high-gloss Jet black lacquer
- Interior, facing and fittings lined in Stockinger Silver
- Free space (ingress height: 10 cm / inner height: 13 cm)
- Four drawers (height: 20 cm), with 48 watch winder
- One drawer (height: 10 cm), lined in Cognac suede
- One tray for watches in Cognac suede
- Internal light system (white)

Price: 92.500 Euro (net, ex works)



STOCKINGER MANUFAKTUR



STOCKINGER MANUFAKTUR

EICHENSTRASSE 15 · 82061 NEURIED · GERMANY · TEL: +49 89-7590 5828 · FAX: +49 89-7590 5830 · INFO@STOCKINGER.COM  
WWW.STOCKINGER.COM

dimension = approx. centimeters  
1 cm = 0,39 in  
1 in = 2,54 cm