

STOCKINGER Safe CHIMERA III 24V “Jet black - Silver/Macassar - Cognac”

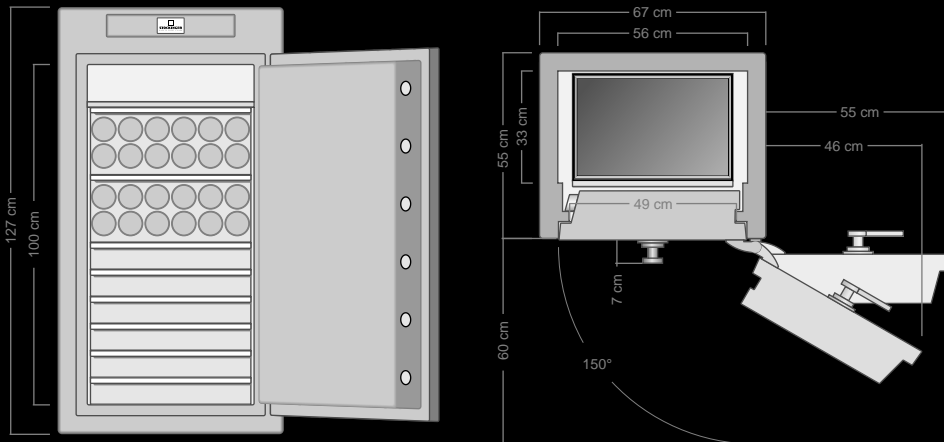
Technical details and dimensions:

- Patented electronic locking system Stocktronic
- Integrated emergency alarm and anchoring device
- VDS security grade III acc. to EU 1143/1
- HxWxD: 127x 67 x 55 cm / 50,0 x 26,4 x 21,6 inch
- Weight: ca. 750 kg / 1.653 lbs
- Volume: ca. 210 liter

Individual finish:

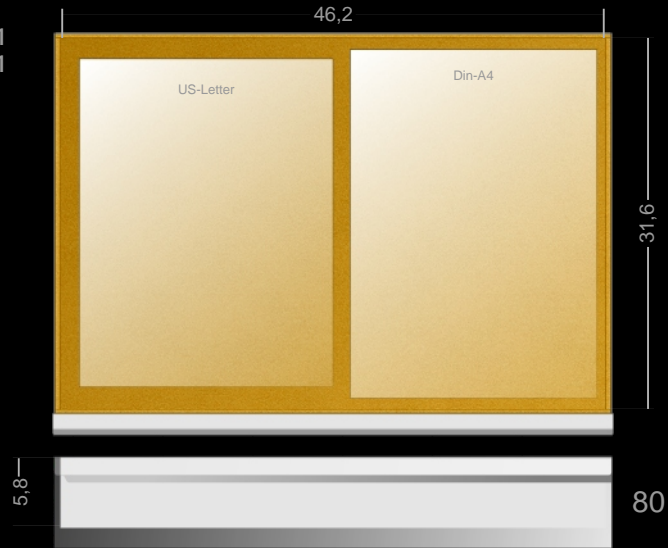
- Body and door in high-gloss Jet black lacquer
- Interior, facing and fittings lined in Stockinger Silver and Macassar wood
- Free space (ingress height: 10 cm / inner height: 13 cm)
- Two drawers (height: 20 cm), with 24 watch winder
- Six drawers (height: 8 cm), lined in Cognac suede
- Six trays for jewellery & watches in Cognac suede
- Internal light system (white)

Price: 77.500 Euro (net, ex works)

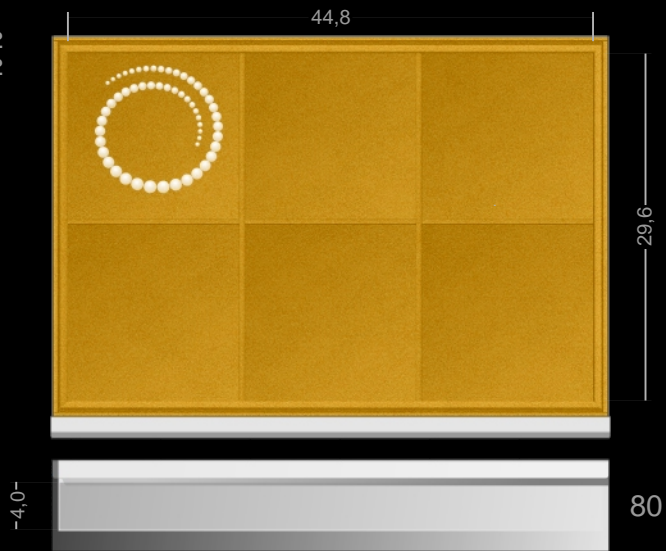


STOCKINGER MANUFAKTUR

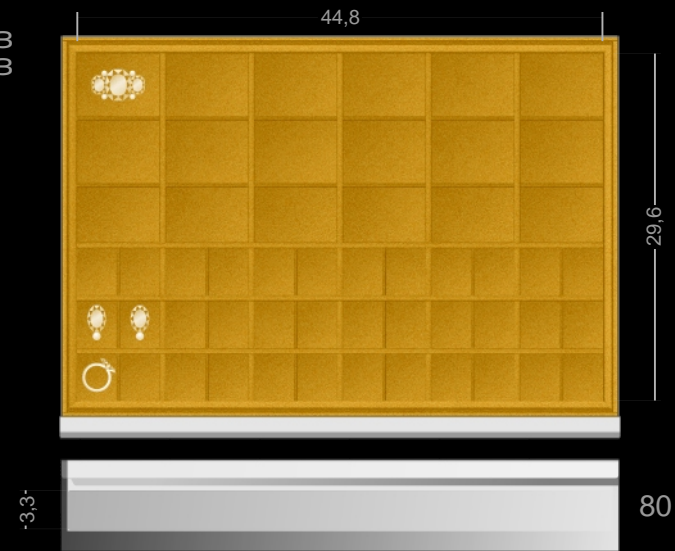
drawer #1
tray #1



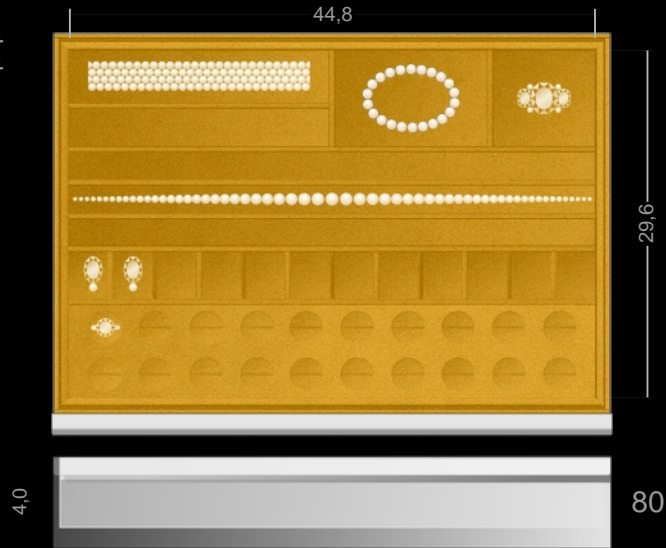
drawer #2
tray #2



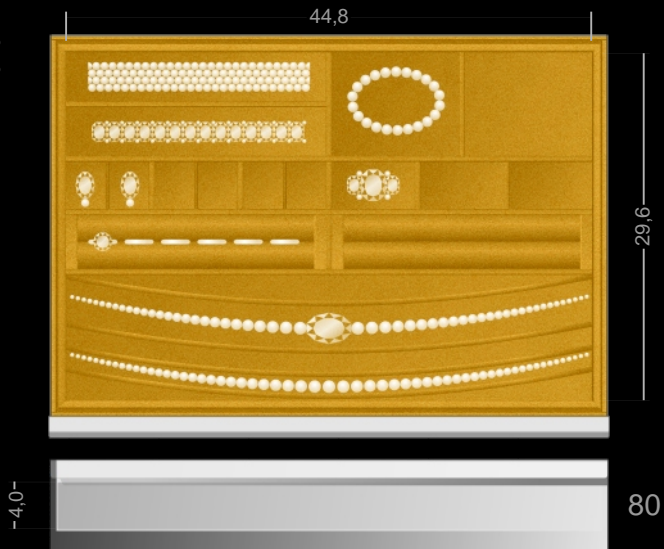
drawer #3
tray #3



drawer #4
tray #4



drawer #5
tray #5



drawer #6
tray #6

